

Series 22000

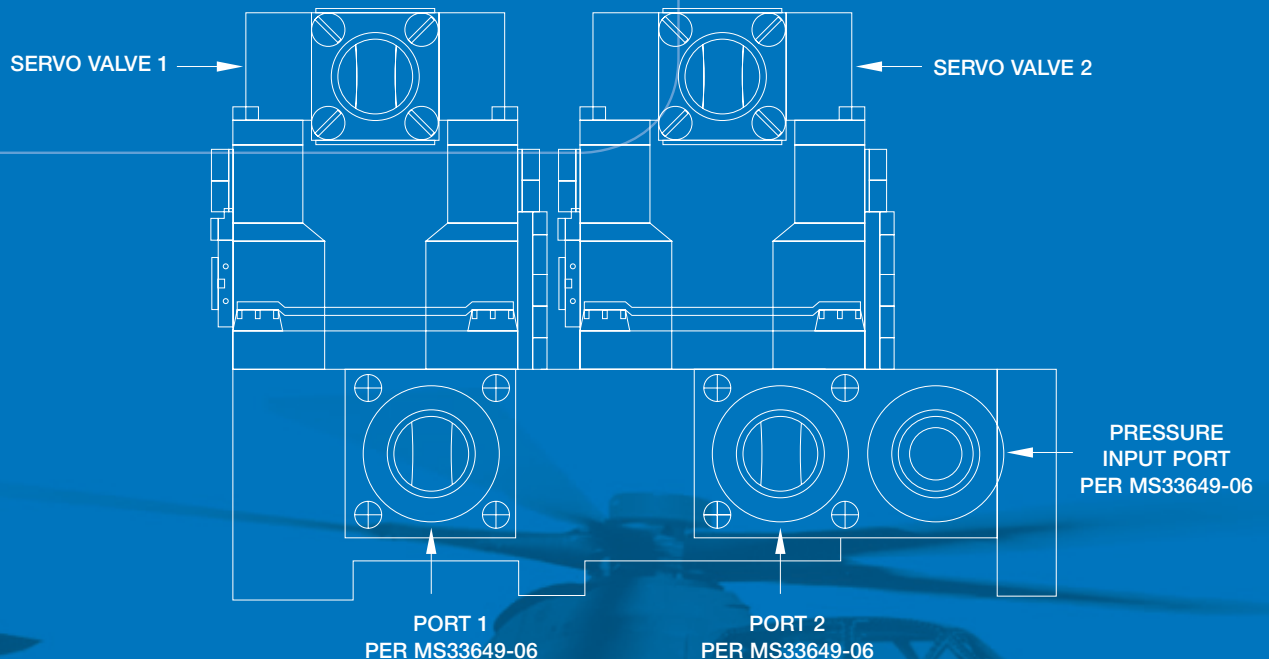
Hydraulic Manifold Assemblies

Series 22000 Hydraulic manifold assemblies are custom designed or manufactured per customer specifications. Manifolds can be either machined components only or complete assemblies including check valves, pressure switches, servovalves, solenoids or filters.

Complete assembly and test capability to customer approved acceptance procedures (ATP).

Series 22000 Specifications:

<i>Pressure Range:</i>	<i>3 to 4,000 p.s.i.g.</i>
<i>Proof Pressure:</i>	<i>to 4,500 p.s.i.g.</i>
<i>Burst Pressure:</i>	<i>7,500 p.s.i.g.</i>
<i>Materials:</i>	<i>anodized aluminum, stainless steel</i>
<i>Media:</i>	<i>Skydrol, MIL-C-83282, MIL-H-5606</i>



There's a Spectrum® pressure switch or instrument to fit your requirements.

For over 50 years, Spectrum has provided sophisticated components and controls designed to meet exacting standards for critical commercial, military, aerospace and nuclear applications.

COUNT ON SPECTRUM FOR:

- Advanced engineering and manufacturing capabilities
- Primary concern with customer satisfaction
- Sound manufacturing practices and rigid quality control
- Precision calibration & testing equipment

2300 SERIES Hydraulic Switch

Often used in aircraft hydraulic systems where reliability under extreme conditions is a must. This rugged model is sealed against harsh environmental conditions. Testing of production models has successfully exceeded one million cycles.



Set points: 400 - 3000 psi
Operating temperatures: -65°/+275°F
Proof pressure: 4500 psi
Burst pressure: 7500 psi

2335 SERIES Hydraulic Switch

This versatile pressure switch operates reliably as a precision control for a variety of media including air, gas, JP4 or JP5 fuel, and hydraulic oils. Constructed of stainless steel, this series has passed the FAA certified flame test of 2000°F.



Set points: 4 - 300 psi
Operating temperatures: up to +2000°F
Proof pressure: 1000 psi
Burst pressure: 2500 psi

2370 SERIES Economy Pressure Switch

Designed for economy while retaining aerospace durability, accuracy and repeatability, this compact 2 oz. switch is available with field adjustable controls.



Set points: 4 - 500 psi
Operating temperatures: -65°/+160°F
Proof pressure: 3000 psi
Burst pressure: 6000 psi

4300 SERIES Absolute Pressure Switch

The 4300 Series stainless steel absolute pressure switch is hermetically sealed for life, making it impervious to the environment. Cyclic testing has verified reliable performance for over 100,000 cycles.



Set points: 400 - 3000 psi
Operating temperatures: -65°/+275°F
Proof pressure: 4500 psi
Burst pressure: 7500 psi

5000 SERIES Wide Range Differential

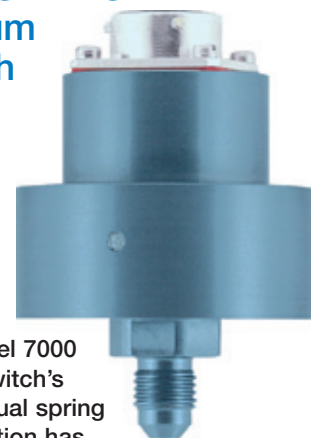
Adaptable to wide range of pressure applications, this series operates in MIL-spec environments. Special duo-differential available.



Set points: 2" H₂O - 60 psid
Operating temperatures: -25°/+275°F
Proof pressure: to customer specs
Burst pressure: to customer specs

7000 SERIES Vacuum Switch

The model 7000 Series switch's unique dual spring construction has proven reliable in both environmental and cyclic tests in excess of 100,000 cycles. Points are factory set to incorporate a wide range of vacuum and positive pressures.



Set points: Vacuum, 0 to 29" Hg
Positive pressure: 60+ psig